

# Linear Single Cell Li-Ion Battery Charger IC

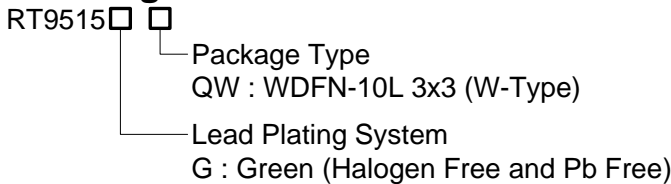
## General Description

The RT9515 is a fully integrated low cost single-cell Li-Ion battery charger IC ideal for portable applications. The RT9515 is capable of being powered up from AC adapter. The RT9515 enters sleep mode when AC adapter is removed.

The RT9515 optimizes the charging task by using a control algorithm including preconditioning mode, fast charge mode and constant voltage mode. The charging task is terminated as the charge current drops below the preset threshold. The AC adapter charge current can be programmed up to 1A with an external resistor. The internal thermal feedback circuitry regulates the die temperature to optimize the charge rate for all ambient temperatures.

The RT9515 features 18V maximum rating voltages for AC adapter. The other features are under voltage protection, over voltage protection for AC adapter supply and battery temperature monitoring.

## Ordering Information



Note :

Richtek products are :

- ▶ RoHS compliant and compatible with the current requirements of IPC/JEDEC J-STD-020.
- ▶ Suitable for use in SnPb or Pb-free soldering processes.

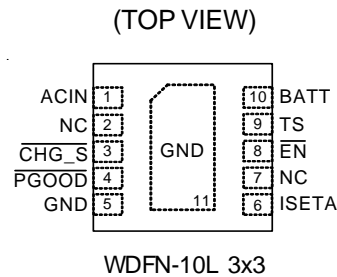
## Features

- 18V Maximum Rating for AC Adapter
- Internal Integrated P-MOSFETs
- AC Adapter Power Good Status Indicator
- Charge Status Indicator
- Under Voltage Protection
- Over Voltage Protection
- Automatic Recharge Feature
- Battery Temperature Monitoring
- Small 10-Lead WDFN Package
- Thermal Feedback Optimizing Charge Rate
- RoHS Compliant and Halogen Free

## Applications

- Digital Cameras
- Cellular Phones
- Personal Data Assistants (PDAs)
- MP3 Players
- Handheld PCs

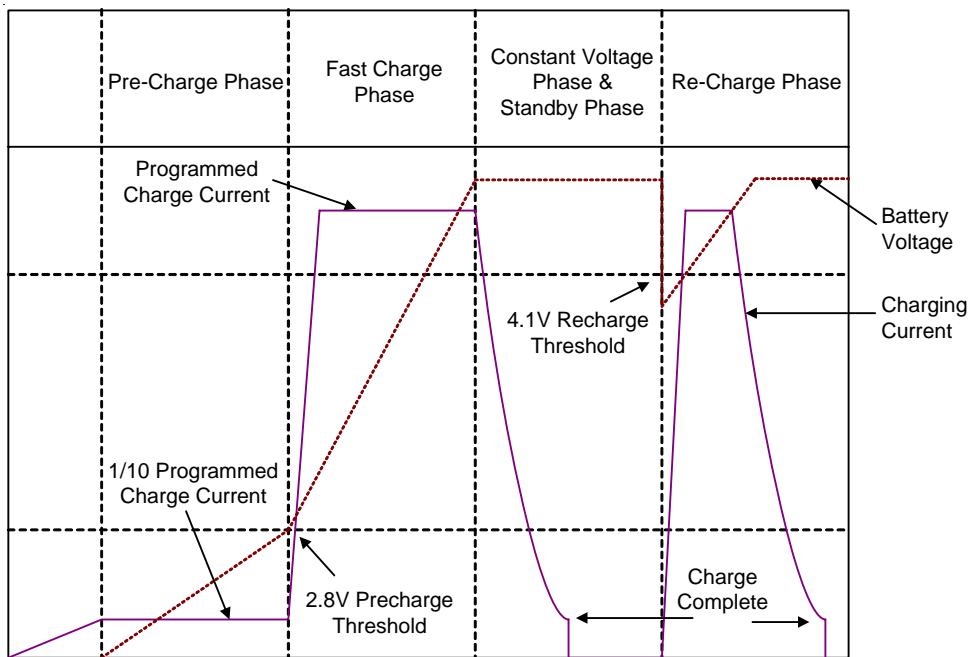
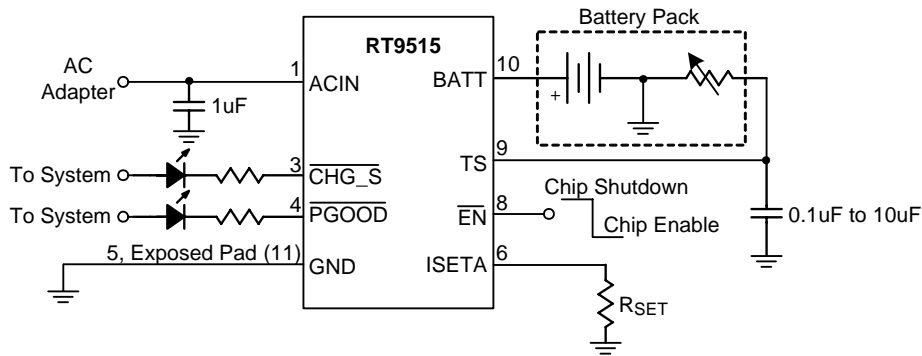
## Pin Configurations



## Marking Information

For marking information, contact our sales representative directly or through a Richtek distributor located in your area.

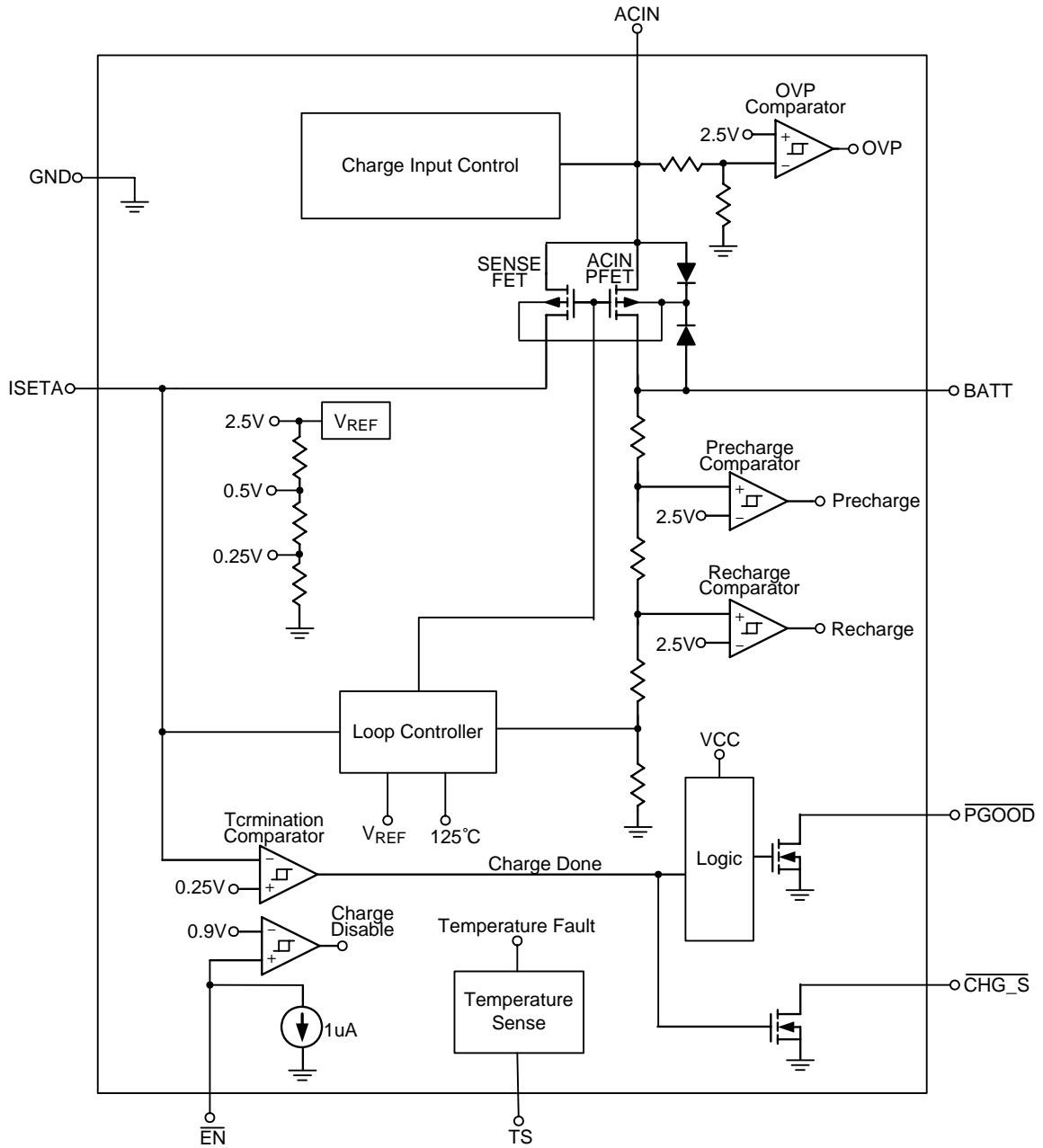
Typical Application Circuit

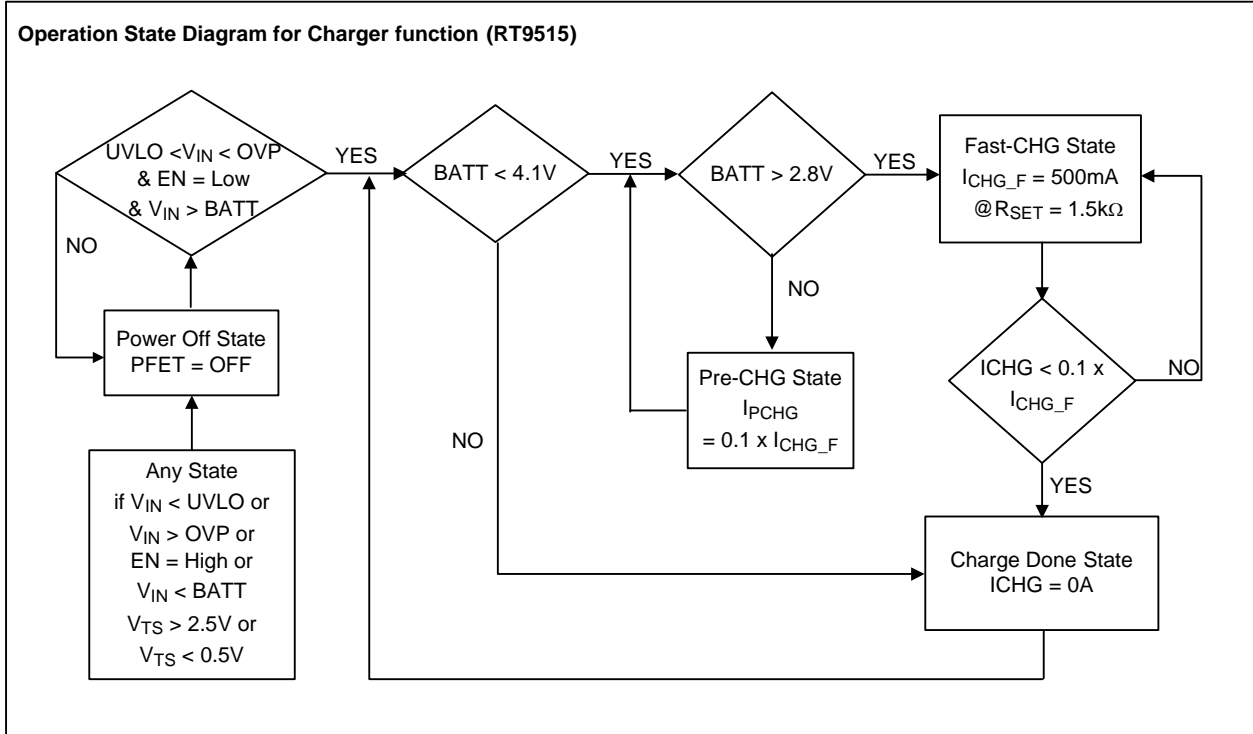


Functional Pin Description

Pin No.	Pin Name	Pin Function
1	ACIN	Wall Adaptor Charge Input Supply.
2, 7	NC	No Internal Connection.
3	CHG_S	Charge Status Indicator Output (open drain).
4	PGOOD	Power Good Indicator Output (open drain).
5	GND	Ground.
6	ISETA	Wall Adaptor Supply Charge Current Set Point.
8	EN	Charge Enable Input (active low).
9	TS	Temperature Sense Input.
10	BATT	Battery Charge Current Output.
11 (Exposed Pad)	GND	Exposed pad should be soldered to PCB board and connected to GND.

Function Block Diagram





**Absolute Maximum Ratings** (Note 1)

- ACIN Input Voltage ----- -0.3V to 18V
- $\overline{EN}$  Input Voltage ----- -0.3V to 6V
- Output Current ----- 1.2A
- Power Dissipation,  $P_D$  @  $T_A = 25^\circ\text{C}$   
 WDFN-10L 3x3 ----- 1.667W
- Package Thermal Resistance (Note 2)  
 WDFN-10L 3x3,  $\theta_{JA}$  -----  $60^\circ\text{C/W}$   
 WDFN-10L 3x3,  $\theta_{JC}$  -----  $8.2^\circ\text{C/W}$
- Lead Temperature (Soldering, 10 sec.) -----  $260^\circ\text{C}$
- Junction Temperature -----  $150^\circ\text{C}$
- Storage Temperature Range -----  $-65^\circ\text{C}$  to  $150^\circ\text{C}$
- ESD Susceptibility (Note 3)  
 HBM (Human Body Mode) ----- 2kV  
 MM (Machine Mode) ----- 200V

**Recommended Operating Conditions** (Note 4)

- ACIN Input Voltage Range ----- 4.5V to 6V
- Junction Temperature Range -----  $-40^\circ\text{C}$  to  $125^\circ\text{C}$
- Ambient Temperature Range -----  $-40^\circ\text{C}$  to  $85^\circ\text{C}$

**Electrical Characteristics**

(ACIN = 5V,  $T_A = 25^\circ\text{C}$ , Unless Otherwise specification)

Parameter	Symbol	Test Conditions	Min	Typ	Max	Units
<b>Supply Input</b>						
ACIN UVLO Threshold Voltage	$V_{UVLO}$	Rising	--	3	3.5	V
ACIN UVLO Hysteresis	$V_{UVLO\_Hys}$		50	80	120	mV
ACIN Standby Current	$I_{STBY}$	$V_{BATT} = 4.5V$	--	300	500	$\mu\text{A}$
ACIN Shutdown Current	$I_{SHDN}$	$\overline{VEN} = \text{High}$	--	50	100	$\mu\text{A}$
ACIN Quiescent Current	$I_Q$	$V_{ACIN} = 4V, V_{USB} = 4V, V_{BATT} = 3V$	--	150	250	$\mu\text{A}$
BATT Sleep Leakage Current	$I_{SLEEP}$	$V_{ACIN} = 4V, V_{USB} = 4V, V_{BATT} = 4.5V$	--	2	5	$\mu\text{A}$
<b>Voltage Regulation</b>						
BATT Regulation Voltage	$V_{REG}$	$I_{BATT} = 60\text{mA}$	4.168	4.21	4.252	V
Regulation Voltage Accuracy			-1	--	+1	%
ACIN MOSFET	$R_{DS(ON)\_ACIN}$	$I_{BATT} = 500\text{mA}$	--	600	--	$\text{m}\Omega$
<b>Current Regulation</b>						
ISETA Set Voltage (Fast Charge Phase)	$V_{ISETA}$	$V_{BATT} = 3.5V$	2.45	2.5	2.55	V
Full Charge Setting Range	$I_{CHG\_F}$		100	--	1200	mA
ACIN Charge Current accuracy	$I_{CHG\_F}$	$V_{BATT} = 3.8V, R_{ISET} = 1.5\text{k}\Omega$	--	500	--	mA

*To be continued*

Parameter	Symbol	Test Conditions	Min	Typ	Max	Units	
<b>Precharge</b>							
BATT Pre-Charge Rising Threshold	$V_{PRECH}$		2.6	2.8	3	V	
BATT Pre-Charge Threshold Hysteresis	$\Delta V_{PRECH}$		50	100	200	mV	
Pre-Charge Current	$I_{PCHG}$	$V_{BATT} = 2V$	8	10	12	%	
<b>Recharge Threshold</b>							
BATT Re-Charge Falling Threshold Hysteresis	$\Delta V_{RECH\_L}$	$V_{REG} - V_{BATT}$	60	100	170	mV	
<b>Charge Termination Detection</b>							
ISETA Charge Termination Set Voltage	$V_{TERM}$	$V_{BATT} = 4.2V$	225	250	275	mV	
Termination Current Ratio (default)	$I_{TERM}$	$V_{BATT} = 4.2V$	--	10	--	%	
<b>Logic Input/Output</b>							
CHG_S Pull Down Voltage	$V_{\overline{CHG\_S}}$	TBD, $I_{\overline{CHG\_S}} = 5mA$	--	65	--	mV	
PGOOD Pull Down Voltage	$V_{\overline{PGOOD}}$	TBD, $I_{\overline{PGOOD}} = 5mA$	--	220	--	mV	
$\overline{EN}$ Threshold	Logic-High Voltage	$V_{IH}$	1.5	--	--	V	
	Logic-Low Voltage	$V_{IL}$	--	--	0.4	V	
$\overline{EN}$ Pin Input Current	$I_{\overline{EN}}$	$V_{\overline{EN}} = 2V$	--	--	2	uA	
<b>Battery Temperature Sense</b>							
TS Pin Source Current	$I_{TS}$	$V_{TS} = 1.5V$	96	102	108	uA	
TS Pin Threshold	Low Voltage	$V_{TS\_LOW}$	Falling	0.485	0.5	0.515	V
	High Voltage	$V_{TS\_HIGH}$	Rising	2.45	2.5	2.55	V
<b>Protection</b>							
Thermal Regulation			--	125	--	°C	
OVP SET		Internal Default	--	6.5	--	V	

**Note 1.** Stresses listed as the above “Absolute Maximum Ratings” may cause permanent damage to the device. These are for stress ratings. Functional operation of the device at these or any other conditions beyond those indicated in the operational sections of the specifications is not implied. Exposure to absolute maximum rating conditions for extended periods may remain possibility to affect device reliability.

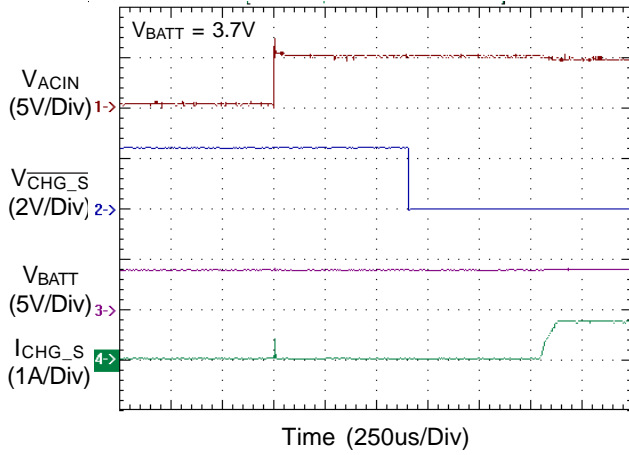
**Note 2.**  $\theta_{JA}$  is measured in the natural convection at  $T_A = 25^\circ C$  on a high effective thermal conductivity test board (4 layers, 2S2P) of JEDEC 51-7 thermal measurement standard. The case point of  $\theta_{JC}$  is on the expose pad for the package.

**Note 3.** Devices are ESD sensitive. Handling precaution is recommended.

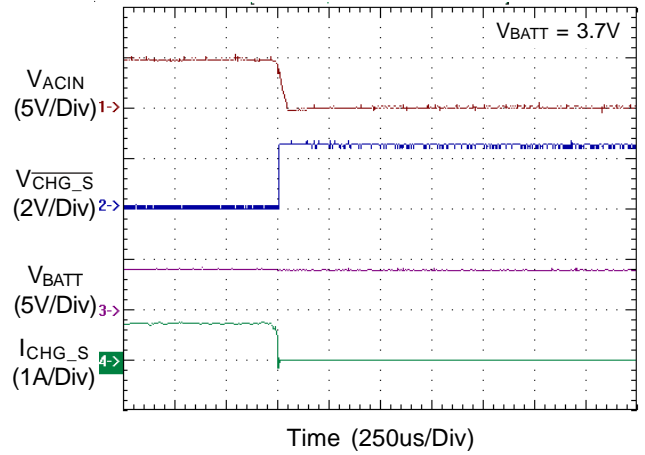
**Note 4.** The device is not guaranteed to function outside its operating conditions.

**Typical Operating Characteristics**

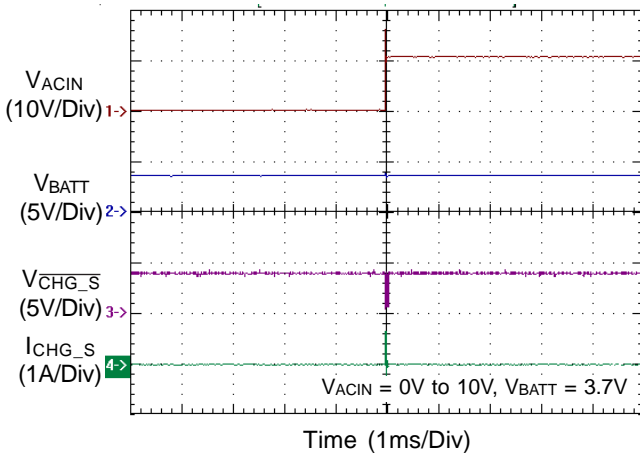
**ACIN Power On**



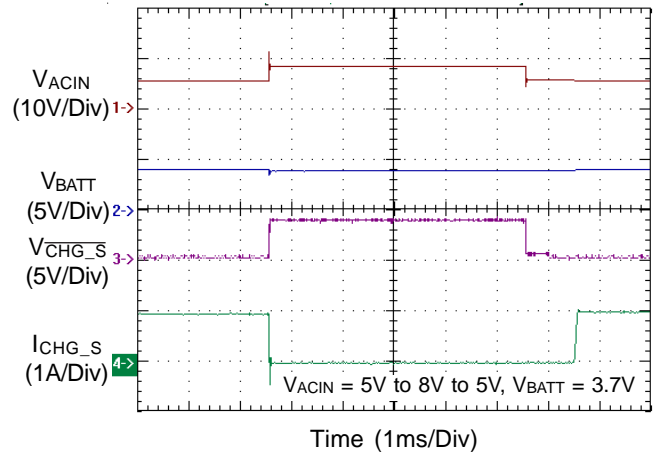
**ACIN Power Off**



**ACIN OVP**



**ACIN OVP**



## Application Information

### Automatically Power Source Selection

The RT9515 is a battery charger IC which is designed for Li-ion Battery with 4.21V rated voltage.

ACIN Mode : When the ACIN input voltage is higher than the UVP voltage level (3V) and lower than OVP voltage level (6.5V), the RT9515 will turn on ACIN P-MOSFET.

Sleep Mode : The RT9515 will enter Sleep Mode when ACIN input voltage are removed. This feature provides low leakage current from the battery during the absence of input supply.

### ACIN Over Voltage Protection

The ACIN input voltage is monitored by an internal OVP comparator. The comparator has an accurate reference of 2.5V from the band-gap reference. The OVP threshold is set by the internal resistive. The protection threshold is set to 6.5V. When the input voltage exceeds the threshold, the comparator outputs a logic signal to turn off the power P-MOSFET to prevent the high input voltage from damaging the electronics in the handheld system. When the input over voltage condition is removed (ACIN < 6V), the comparator re-enables the output by running through the soft-start.

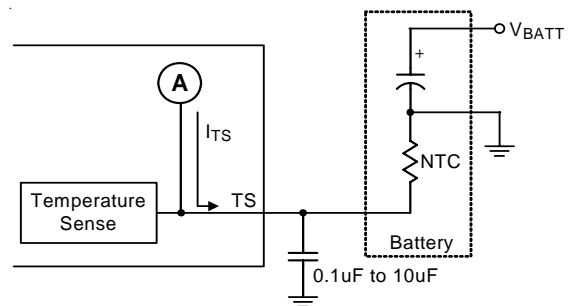
### Battery Temperature Monitoring

The RT9515 continuously monitors battery temperature by measuring the voltage between the TS and GND pins. The RT9515 has an internal current source to provide the bias for the most common 10kΩ negative-temperature coefficient thermal resistor (NTC) (see Figure 1). The RT9515 compares the voltage on the TS pin against the internal VTS\_HIGH and VTS\_LOW thresholds to determine if charging is allowed.

When the temperature outside the VTS\_HIGH and VTS\_LOW thresholds is detected, the device will immediately stop the charge. The RT9515 stops charge and keep monitoring the battery temperature when the temperature sense input voltage is back to the threshold between VTS\_HIGH and VTS\_LOW, the charger will be resumed. Charge is resumed when the temperature returns to the normal range. However, the user may modify thresholds by the negative-temperature coefficient thermal

resistor or adding two external resistors. (see Figure 2.)

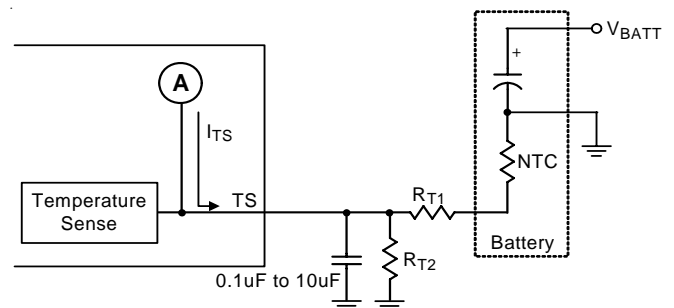
The capacitor should be placed close to TS(Pin 9) and connected to the ground plane. The capacitance value (0.1uF to 10uF) should be selected according to the quality of PCB layout. It is recommended to use 10uF if the layout is poor to prevent noise.



$$V_{TS} = I_{TS} \times R_{NTC}$$

Turn off when  $V_{TS} \geq 2.5V$  or  $V_{TS} \leq 0.5V$

Figure 1. Temperature Sensing Configuration



$$V_{TS} = I_{TS} \frac{R_{T2} \times (R_{T1} + R_{NTC})}{R_{T1} + R_{T2} + R_{NTC}}$$

Turn off when  $V_{TS} \geq 2.5V$  or  $V_{TS} \leq 0.5V$

Figure 2. Temperature Sensing Circuit

### Fast-Charge Current Setting

The RT9515 offers ISETA pin to determine the ACIN charge current from 100mA to 1.2A. The charge current can be calculated as following equation.

$$I_{CHG\_F} = K \frac{V_{ISETA}}{R_{SET}}$$



The parameter  $K = 300$  ;  $V_{ISETA} = 2.5V$ .  $R_{SET}$  is the resistor connected between the ISETA and GND.

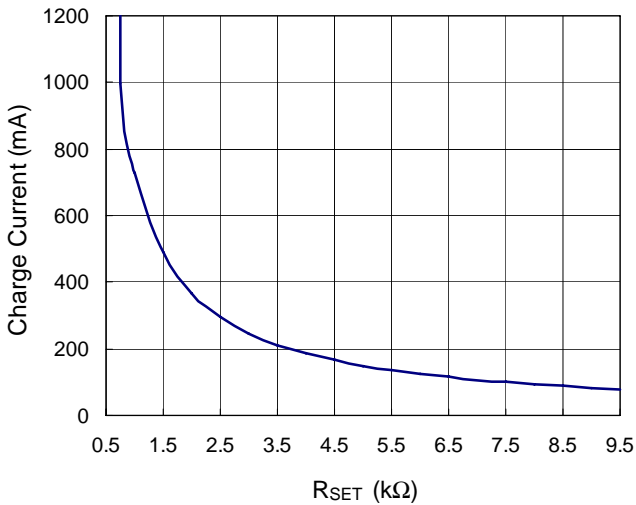


Figure 3. Charge Current Setting

**Pre- Charge Current Setting**

During a charge cycle if the battery voltage is below the VPRECH threshold, the RT9515 applies a pre-charge mode to the battery. This feature revives deeply discharged cells and protects battery life. The RT9515 internally determines the pre-charge rate as 10% of the fast-charge current.

**Battery Voltage Regulation**

The RT9515 monitors the battery voltage through the BATT pin. Once the battery voltage level closes to the VREG threshold, the RT9515 voltage enters constant phase and the charging current begins to taper down. When battery voltage is over the VREG threshold, the RT9515 will stop charge and keep to monitor the battery voltage. However, when the battery voltage decreases 100mV below the V<sub>REG</sub>, it will be recharged to keep the battery voltage.

**Charge Status Outputs**

The open-drain  $\overline{CHG\_S}$  and  $\overline{PGOOD}$  outputs indicate various charger operations as shown in the following table. These status pins can be used to drive LEDs or communicate to the host processor. Note that ON indicates the open-drain transistor is turned on and LED is bright.

Charge State		$\overline{CHG\_S}$	$\overline{PGOOD}$
ACIN	Charge	ON	ON
	Charge done	OFF	ON

**Temperature Regulation and Thermal Protection**

In order to maximize the charge rate, the RT9515 features a junction temperature regulation loop. If the power dissipation of the IC results in a junction temperature greater than the thermal regulation threshold (125°C), the RT9515 throttles back on the charge current in order to maintain a junction temperature around the thermal regulation threshold (125°C). The RT9515 monitors the junction temperature, T<sub>J</sub>, of the die and disconnects the battery from the input if T<sub>J</sub> exceeds 125°C. This operation continues until junction temperature falls below thermal regulation threshold (125°C) by the hysteresis level. This feature prevents the chip from damaging.

**Selecting the Input and Output Capacitors**

In most applications, the most important is the high-frequency decoupling capacitor on the input of the RT9515. A 1uF ceramic capacitor, placed in close proximity to input pin and GND pin is recommended. In some applications depending on the power supply characteristics and cable length, it may be necessary to add an additional 10uF ceramic capacitor to the input. The RT9515 requires a small output capacitor for loop stability. A 1uF ceramic capacitor placed between the BATT pin and GND is typically sufficient.

**Thermal Considerations**

For continuous operation, do not exceed absolute maximum operation junction temperature. The maximum power dissipation depends on the thermal resistance of IC package, PCB layout, the rate of surroundings airflow and temperature difference between junction to ambient. The maximum power dissipation can be calculated by following formula :

$$P_{D(MAX)} = ( T_{J(MAX)} - T_A ) / \theta_{JA}$$

Where T<sub>J(MAX)</sub> is the maximum operation junction temperature 125°C, T<sub>A</sub> is the ambient temperature and the  $\theta_{JA}$  is the junction to ambient thermal resistance.

For recommended operating conditions specification, where  $T_{J(MAX)}$  is the maximum junction temperature of the die (125°C) and  $T_A$  is the ambient temperature. The junction to ambient thermal resistance  $\theta_{JA}$  is layout dependent. For WDFN-10L 3x3 packages, the thermal resistance  $\theta_{JA}$  is 60°C/W on the standard JEDEC 51-7 four layers thermal test board. The maximum power dissipation at  $T_A = 25^\circ\text{C}$  can be calculated by following formula :

$$P_{D(MAX)} = (125^\circ\text{C} - 25^\circ\text{C}) / (60^\circ\text{C/W}) = 1.667\text{W for WDFN-10L 3x3 packages}$$

The maximum power dissipation depends on operating ambient temperature for fixed  $T_{J(MAX)}$  and thermal resistance  $\theta_{JA}$ . For WDFN-10L 3x3 package, the Figure 4 of derating curves allows the designer to see the effect of rising ambient temperature on the maximum power allowed.

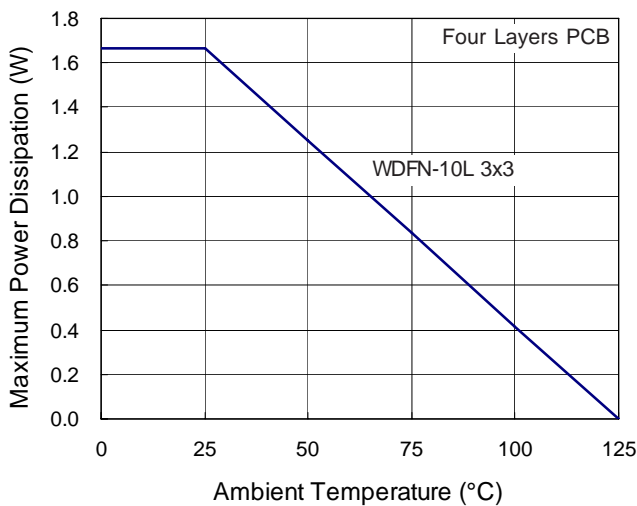


Figure 4. Derating Curves for RT9515 Package

### Layout Considerations

For the best performance of the RT9515, the following PCB layout guidelines must be strictly followed.

- ▶ Place the input and output capacitors as close as possible to the input and output pins respectively for good filtering.
- ▶ Keep the main power traces as wide and short as possible.
- ▶ The connection of  $R_{SETA}$  should be isolated from other noisy traces. The short wire is recommended to prevent EMI and noise coupling.

- ▶ Connect the GND and Exposed Pad to a strong ground plane for maximum thermal dissipation and noise protection.
- ▶ The TS's capacitor should be placed close to TS (Pin 9) and connected to ground plane. If the PCB layout is poor, it is recommended to use a 10uF at C2 to prevent noise.

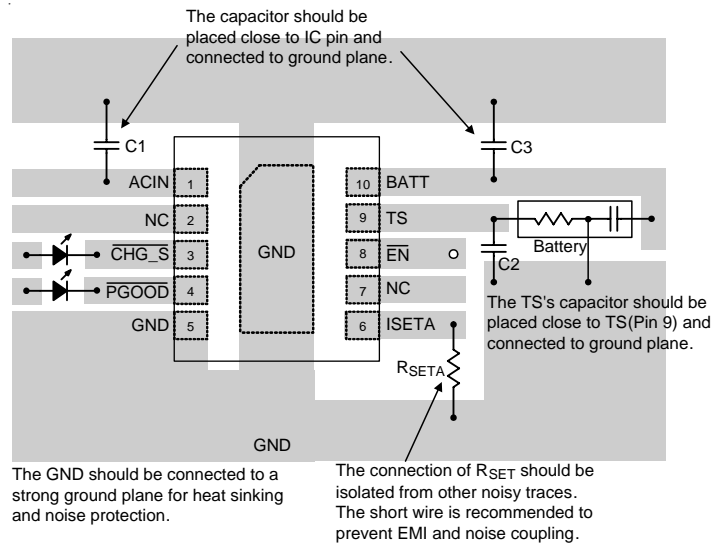
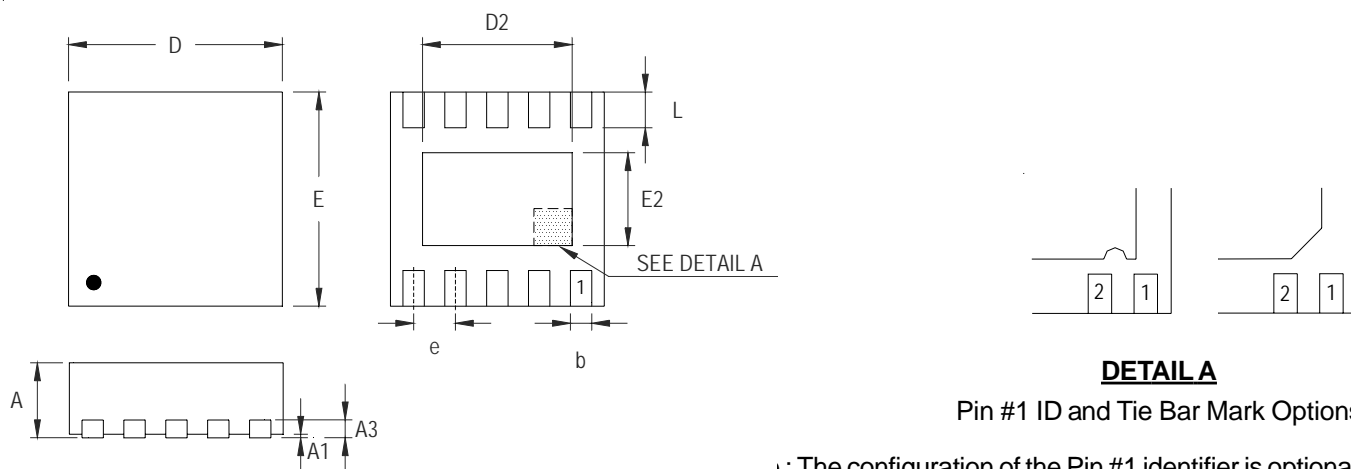


Figure 5. PCB Layout Guide

**Outline Dimension**



**DETAIL A**

Pin #1 ID and Tie Bar Mark Options

: The configuration of the Pin #1 identifier is optional, but must be located within the zone indicated.

Symbol	Dimensions In Millimeters		Dimensions In Inches	
	Min	Max	Min	Max
A	0.700	0.800	0.028	0.031
A1	0.000	0.050	0.000	0.002
A3	0.175	0.250	0.007	0.010
b	0.180	0.300	0.007	0.012
D	2.950	3.050	0.116	0.120
D2	2.300	2.650	0.091	0.104
E	2.950	3.050	0.116	0.120
E2	1.500	1.750	0.059	0.069
e	0.500		0.020	
L	0.350	0.450	0.014	0.018

**W-Type 10L DFN 3x3 Package**

**Richtek Technology Corporation**

Headquarter  
5F, No. 20, Taiyuen Street, Chupei City  
Hsinchu, Taiwan, R.O.C.  
Tel: (8863)5526789 Fax: (8863)5526611

**Richtek Technology Corporation**

Taipei Office (Marketing)  
5F, No. 95, Minchiuan Road, Hsintien City  
Taipei County, Taiwan, R.O.C.  
Tel: (8862)86672399 Fax: (8862)86672377  
Email: marketing@richtek.com

Information that is provided by Richtek Technology Corporation is believed to be accurate and reliable. Richtek reserves the right to make any change in circuit design, specification or other related things if necessary without notice at any time. No third party intellectual property infringement of the applications should be guaranteed by users when integrating Richtek products into any application. No legal responsibility for any said applications is assumed by Richtek.