

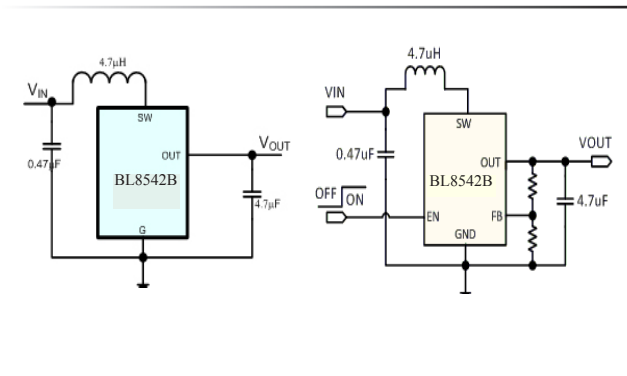
DESCRIPTION

The BL8542B is a step-up converter that provides a boosted output voltage from a low voltage source. Because of its proprietary design, it starts up at a very low input voltage down to 850mV, making it an ideal choice for single cell alkaline/NiMH battery operations.

A switching frequency of 1MHz minimizes solution footprint by allowing the use of tiny, low profile inductors and ceramic capacitors. The current mode PWM design is internally compensated, reducing external parts count.

BL8542B is housed in a tiny SOT23-5 and SOT89-3 Package.

TYPICAL APPLICATION CIRCUIT



NOTE: Input capacitor ($C_{in}=0.47\mu F$) and Output capacitor ($C_{out}\geq 4.7\mu F$) are recommended in all application circuit.

ORDERING INFORMATION

Product	Product Code	Package	Devices per Reel	Top Marking
BL8542B-ADJ	BL8542BCB5TR	SOT23-5	3000	AAXZ
BL8542B-3.3V	BL8542BCB5TR33	SOT23-5	3000	AAWZ
BL8542B-5.0V	BL8542BCB5TR50	SOT23-5	3000	AAVZ
BL8542B-3.3V	BL8542BCC3TR33	SOT89-3	1000	AAWZ XXXX
BL8542B-5.0V	BL8542BCC3TR50	SOT89-3	1000	AAVZ XXXX

XXXX: The last 4 characters of the LOT NO.

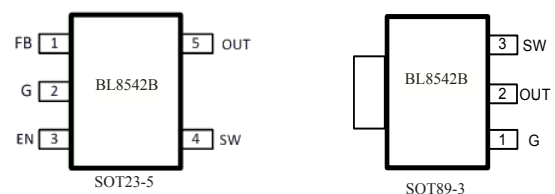
FEATURES

- Up to 95% Efficiency
- Output voltage accuracy 3%
- 1MHz Switching Frequency allows small inductor and output cap
- Input boost-strapping allows using small or no input cap
- Low Vin Start-up Voltage down to 850mV Ideal for Single Alkaline Cell operations
- Maximum Output Current up to 300mA
- Low Noise PWM control
- Internally Compensated Current Mode Control
- Internal Synchronous Rectifier
- Logic Control Shutdown ($I_Q < 1\mu A$)

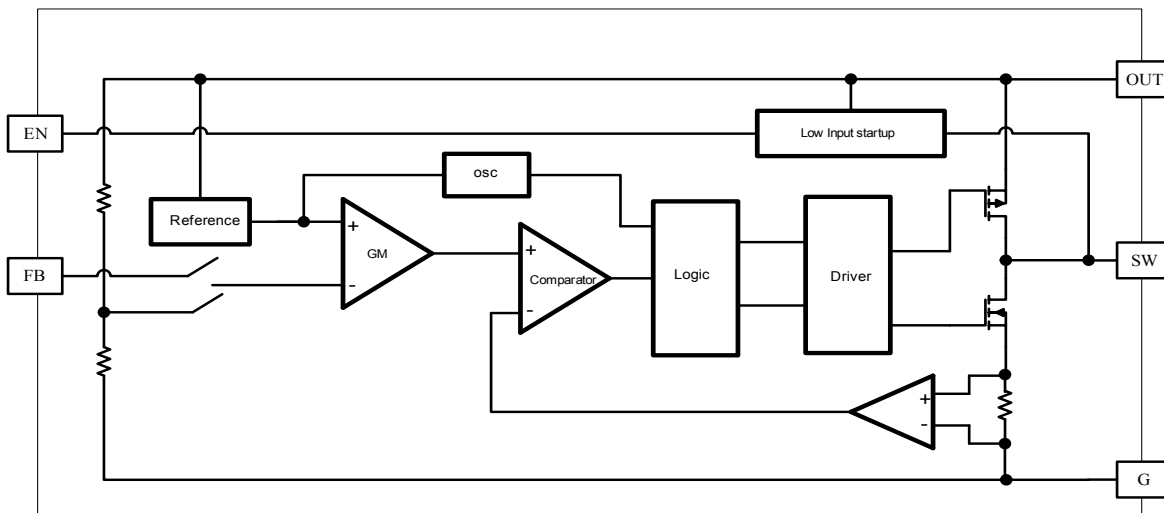
APPLICATIONS

- One to Three Cell Battery Operated Devices
- Medical Instruments
- Bluetooth Headsets
- Flash-Based MP3 Players
- Noise Canceling Headphones

PIN CONFIGURATION



BLOCK DIAGRAM



DETAIL DESCRIPTION

BL8542B is a low input voltage start up, current mode dc-dc step up converter. It's operation can be best understood by referring to the block diagram. Upon starting up, the low voltage startup circuitry drives SW with on-off cycles, transferring energy from input to OUT by storing energy in the inductor during on-time and releasing it to the output during off-time. When OUT reaches 2V, the startup circuit turns off and the main controller takes over. The main control loop consists of a reference, a GM error amplifier, a PWM controller, a current sense amplifier, an oscillator, a PWM logic control, and its power stage including its driver. The main control loop is a classic current mode control loop. The GM stage integrates the error between FB and REF, and its output is used to compare with a triangular wave which the summing result of the current sense amplifier output and a slope compensation voltage. The output of the comparator is used to drive the power stage to reach regulation.

APPLICATION INFORMATION

Output Voltage selection

The output voltages can be set by connecting FB to OUT, to G or to the midpoint of a resistor divider connected to OUT. See below table for details.

FB=G	VOUT =5.0V
FB=OUT	VOUT =3.3V
FB to resistor divider	VOUT=0.6V(1+R1/R2)

Inductor selection

With switching frequency up to 1MHz, small surface mount inductors can be used with values from 2.2uH to 4.7uH. For a given chosen inductor value and application conditions make sure the peak inductor current does not exceed the maximum current rating of the selected vendor's inductor.

Input and output capacitor selection

The BL8542B's bootstrap architecture allows the use of very small input capacitor. For applications that only need to drive small output load current, the input capacitor is optional, because once output is started up, the IC's is powered by OUT, a quiet power supply.

The output capacitor is used to stabilize the loop and provide ac current to the load. A low ESR ceramic cap with values from 2.2uF to 22uF can be used. Smaller value capacitors are generally cheaper with small footprints, while larger capacitor provides lower ripples and better transient load responses. Also, when extreme low startup voltage is needed, larger output capacitors are needed for the part to startup under heavy load condition.

ABSOLUTE MAXIMUM RATING

Parameters	Value
SW Voltage	-0.3 ~ 6 V
EN, FB, OUT Voltage	-0.3 ~ 6 V
Juntion to Ambient Thermal Resistance	190 °C/W
Maximum Power Dissipation	0.45 W
Operating Temperature Range	-40 ~ 150 °C
Storage Temperature	-55 ~ 150 °C
IR Reflow Lead Temperature and Time	260°C , 10s

Note:

Exceed these limits to damage to the device.

Exposure to absolute maximum rating conditions may affect device reliability.

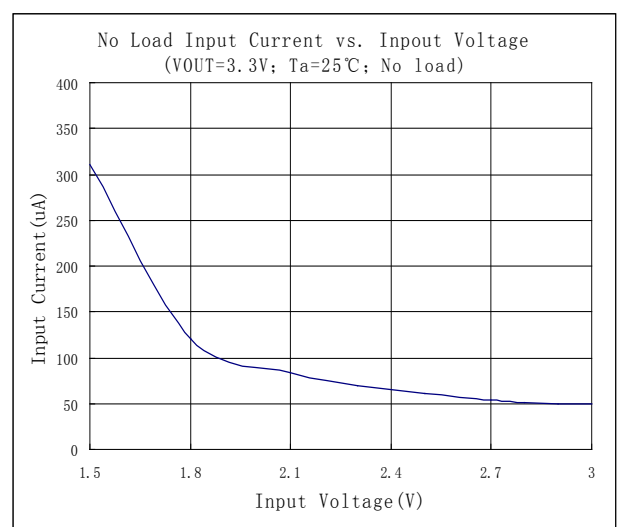
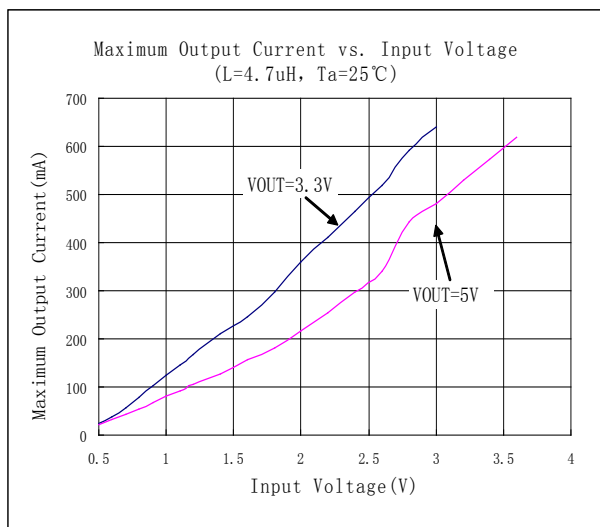
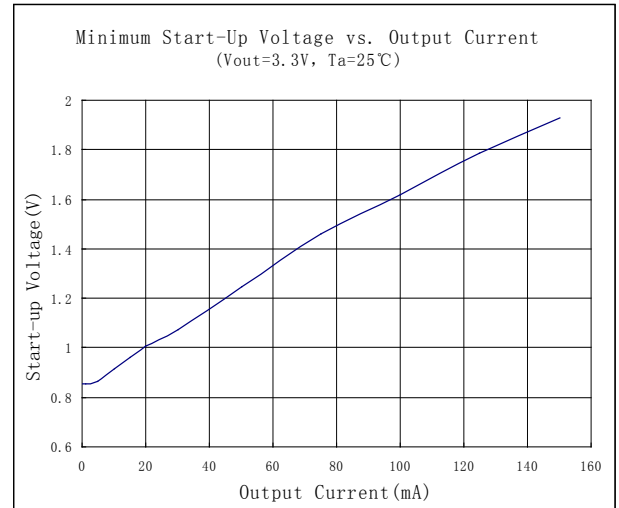
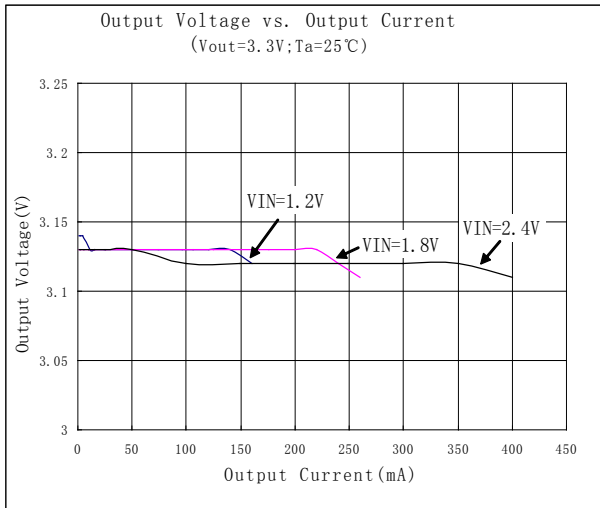
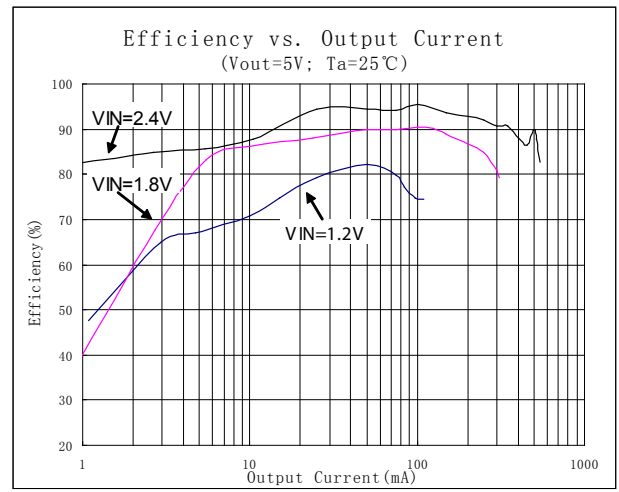
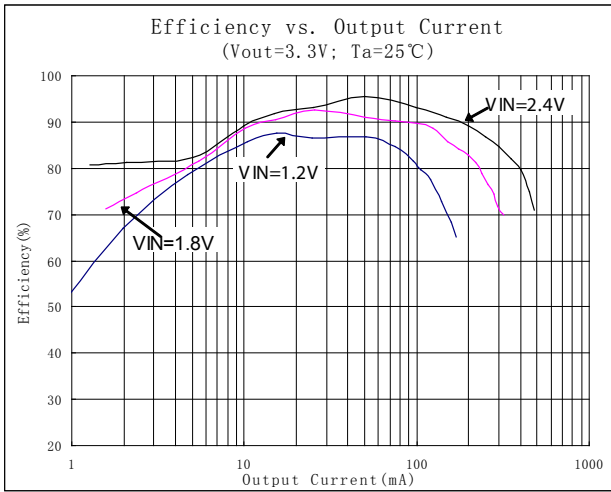
ELECTRICAL CHARACTERISTICS

Test condition: $V_{in}=1.8V$, $V_{out}=3.3V$, $T_A=25^{\circ}C$, unless otherwise specified.

Parameters	Condition	Min.	Typ.	Max.	Unit
Minimum Input Voltage			0.7		V
Startup Voltage			0.85	1.1	V
Dropout Voltage, $V_{out} \geq 2.8V$	FB=OUT		3.3		V
	FB=G		5		V
FB Feedback Voltage	$V_{out}=2.5$ to 5V		0.6		V
FB Input Current				50	nA
Output Voltage Range	External divider	2.5		5	V
Quiescent Current at OUT	$V_{fb}=0.7V$		25		uA
Shutdown Supply Current at OUT	EN=G		0.1	1	uA
NMOS Switch On Resistance	$I_{sw}=100mA$		0.3		ohm
PMOS Switch On Resistance	$I_{sw}=100mA$		0.7		ohm
NMOS Switch Current Limit		1			A
SW Leakage Current	$V_{out}=5.5V$, $V_{sw}=0$ or 5.5V, EN=G			1	uA
EN Input Current				1	uA
EN Input Voltage for “Low”				0.3	V
EN Input Voltage for “High”		0.6			V

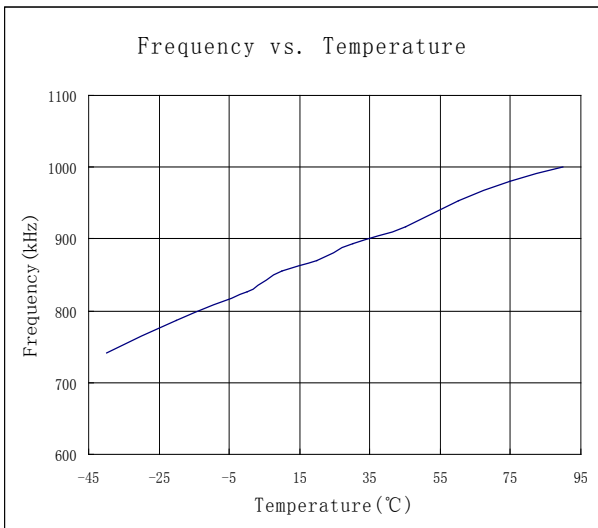
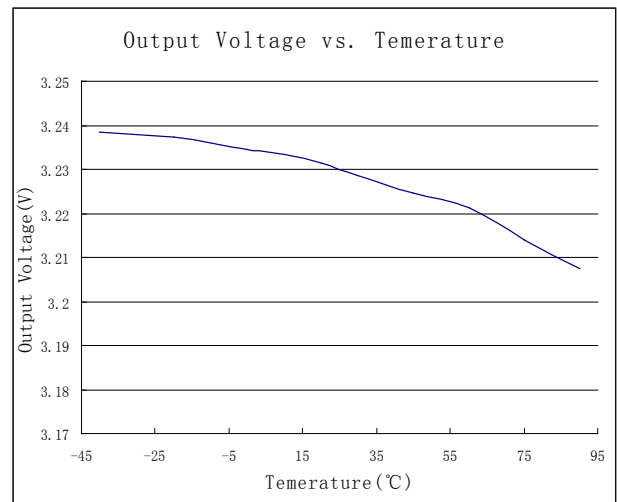
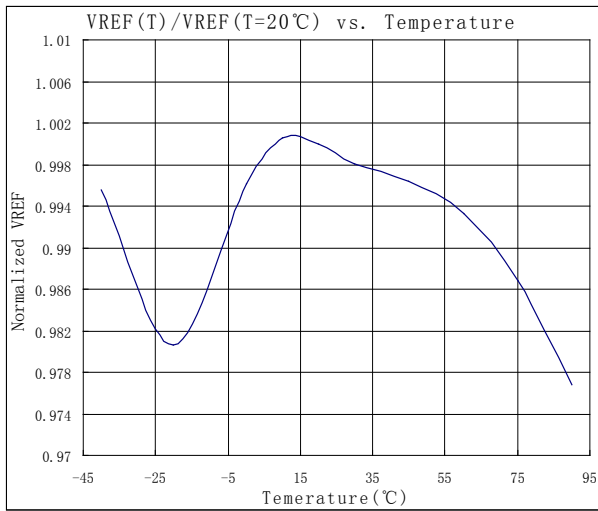
TYPICAL PERFORMANCE CHARACTERISTICS

Typical values are tested at $T_A=25^\circ\text{C}$, unless otherwise specified.



TYPICAL PERFORMANCE CHARACTERISTICS

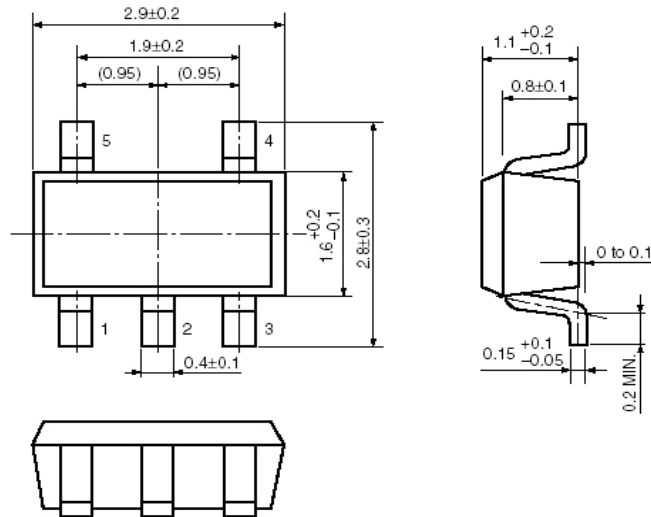
Typical values are tested at $T_A=25^{\circ}\text{C}$, unless otherwise specified.



PACKAGE OUTLINE DIMENSION

Package	SOT23-5
Devices per reel	3000

Dimension (mm)



Package	SOT89-3
Devices per reel	1000

Dimension (mm)

